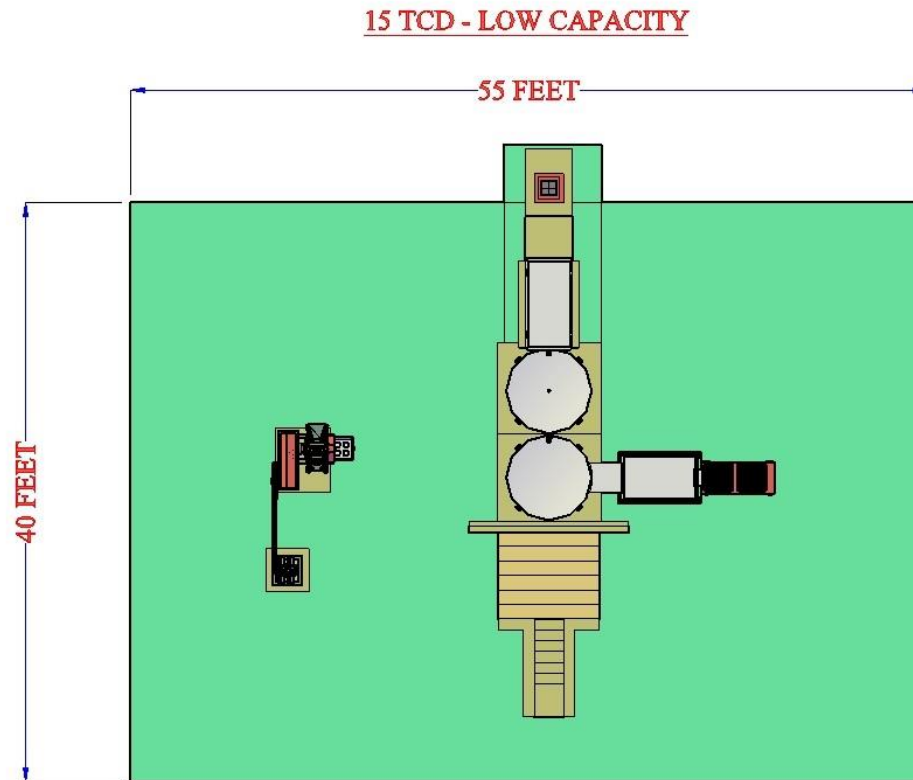
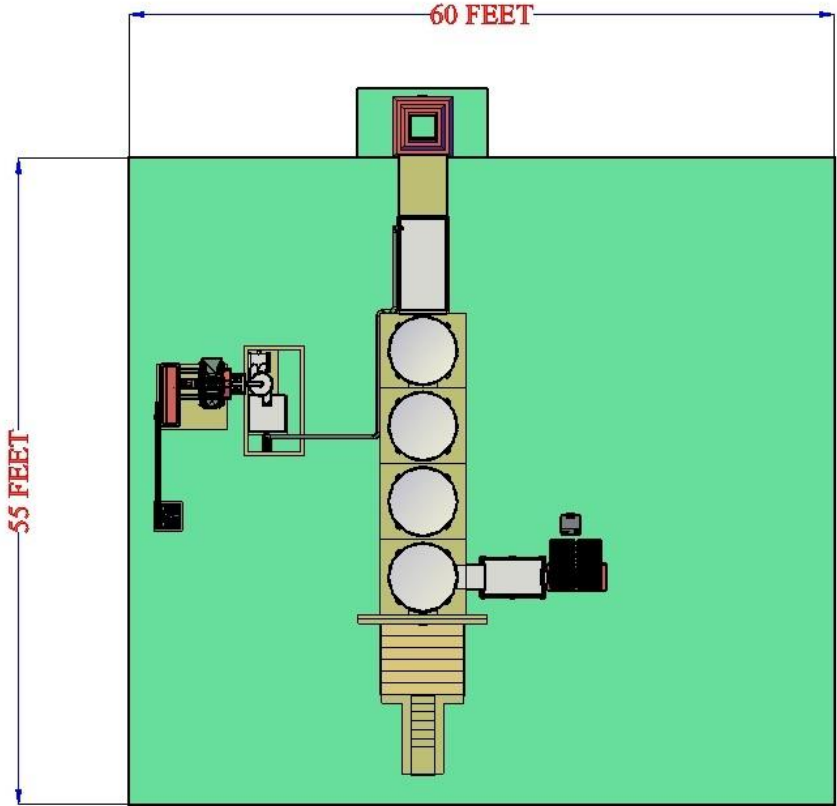


Plan layout of different models of jaggery plant

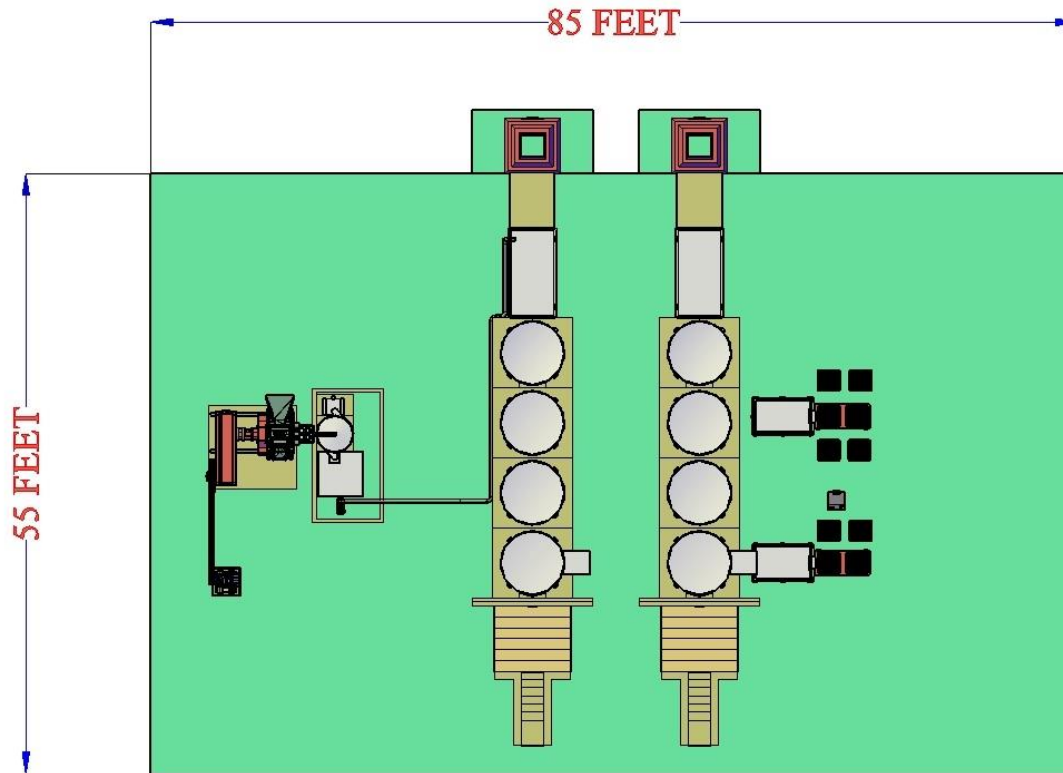


5-20 TCD

30 TCD - MEDIUM CAPACITY - 2



21-40 TCD



41-60 TCD

FOR capacity of more than 60 TCD Construction area for shed= 115' x 80 ' (including 60' x 40' of godown)